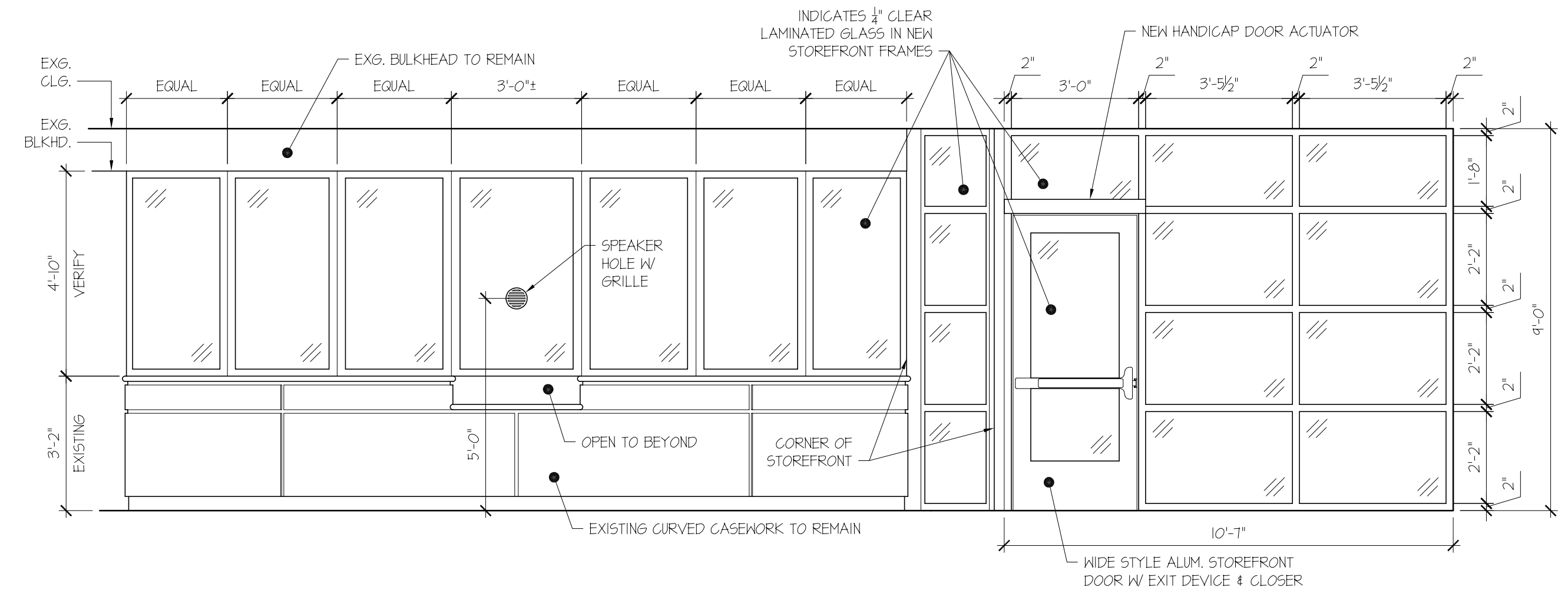
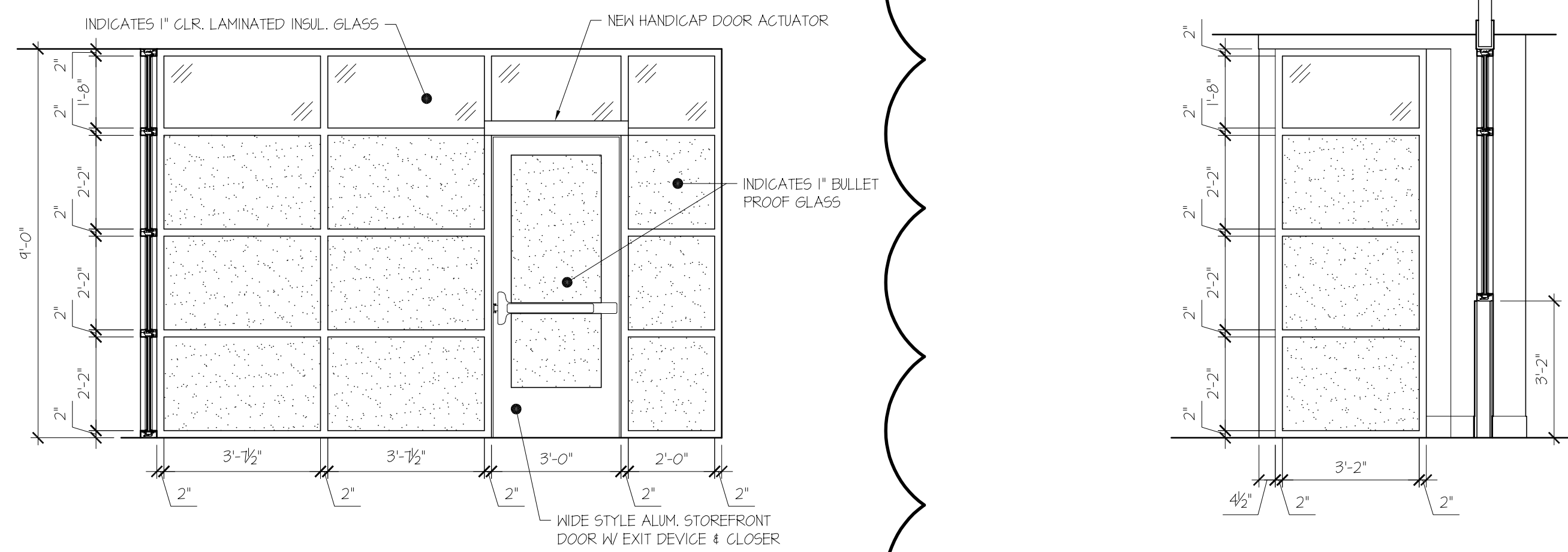


1 STOREFRONT ELEVATION
3/8" = 1'-0"



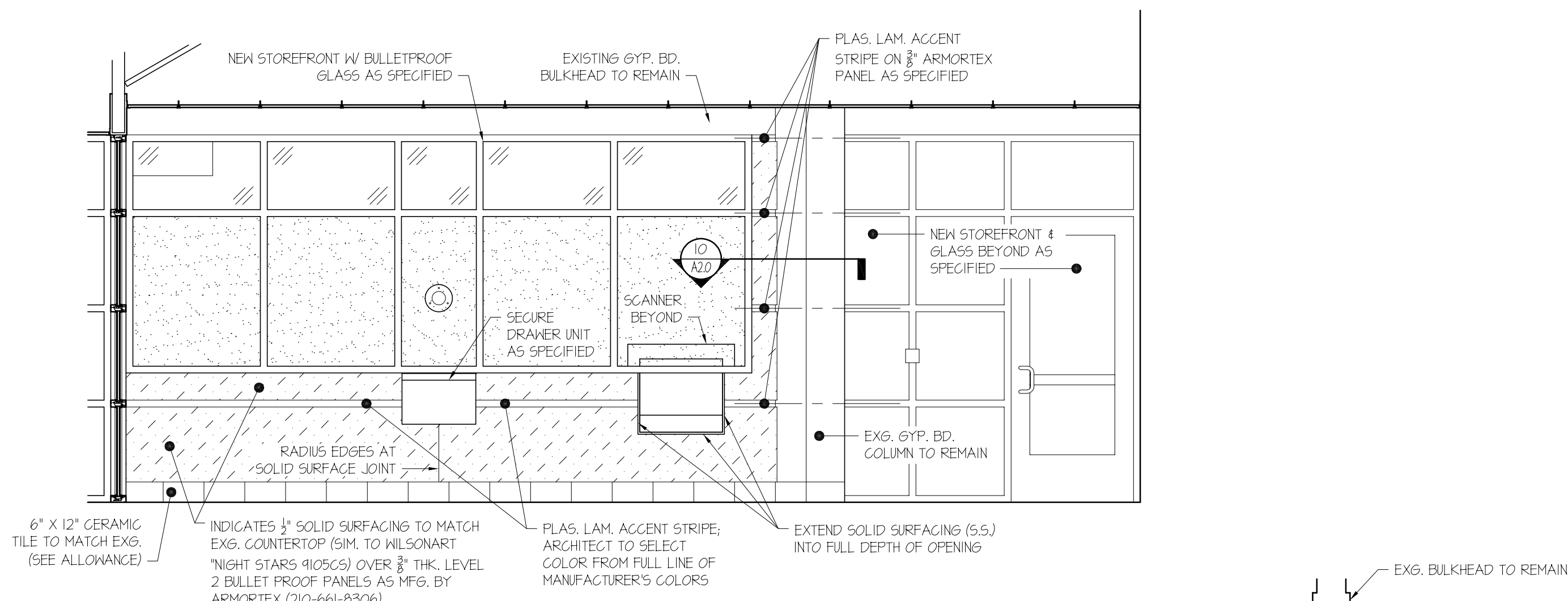
2 CASEWORK / STOREFRONT ELEVATION
3/8" = 1'-0"

3 CASEWORK / STOREFRONT ELEVATION
3/8" = 1'-0"

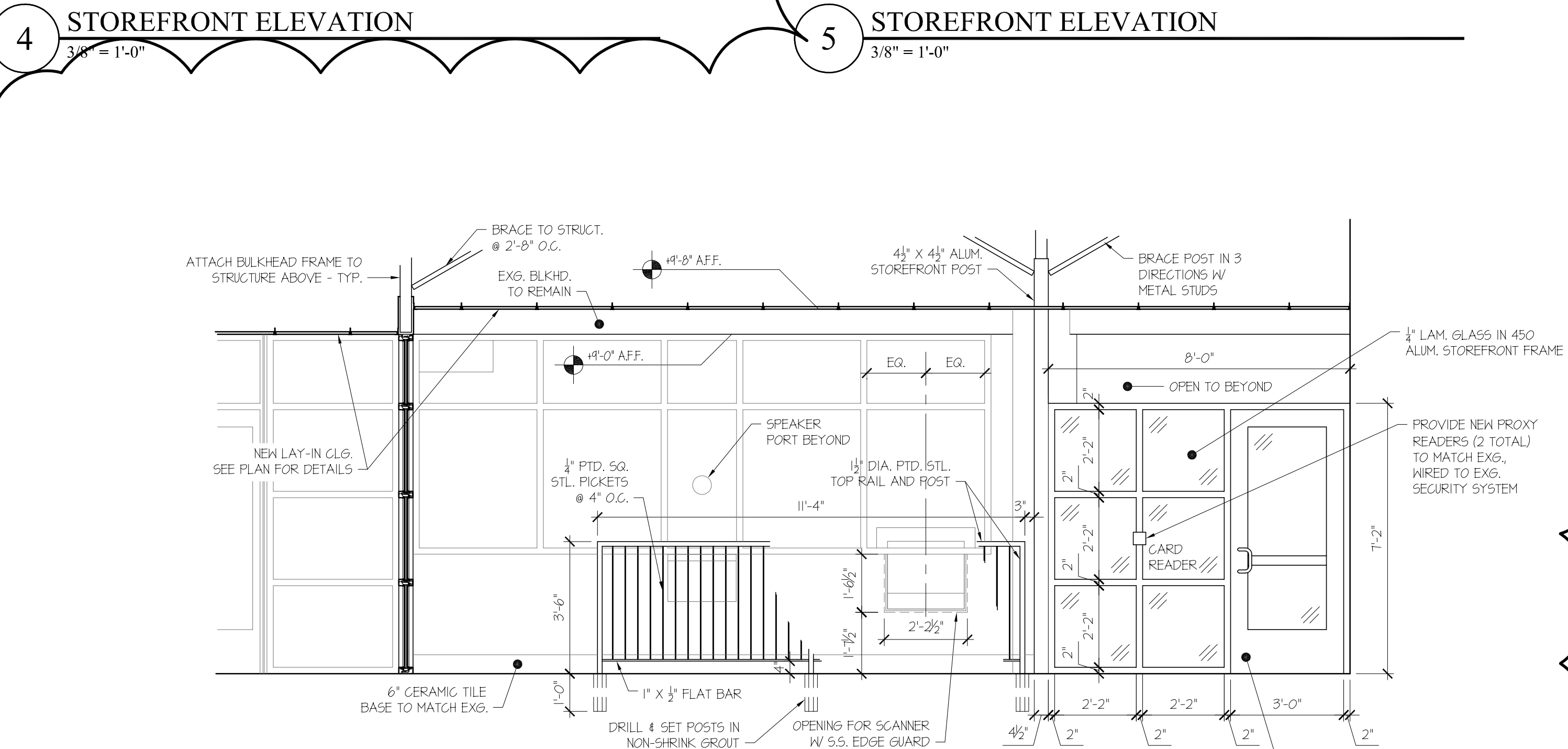


4 STOREFRONT ELEVATION
3/8" = 1'-0"

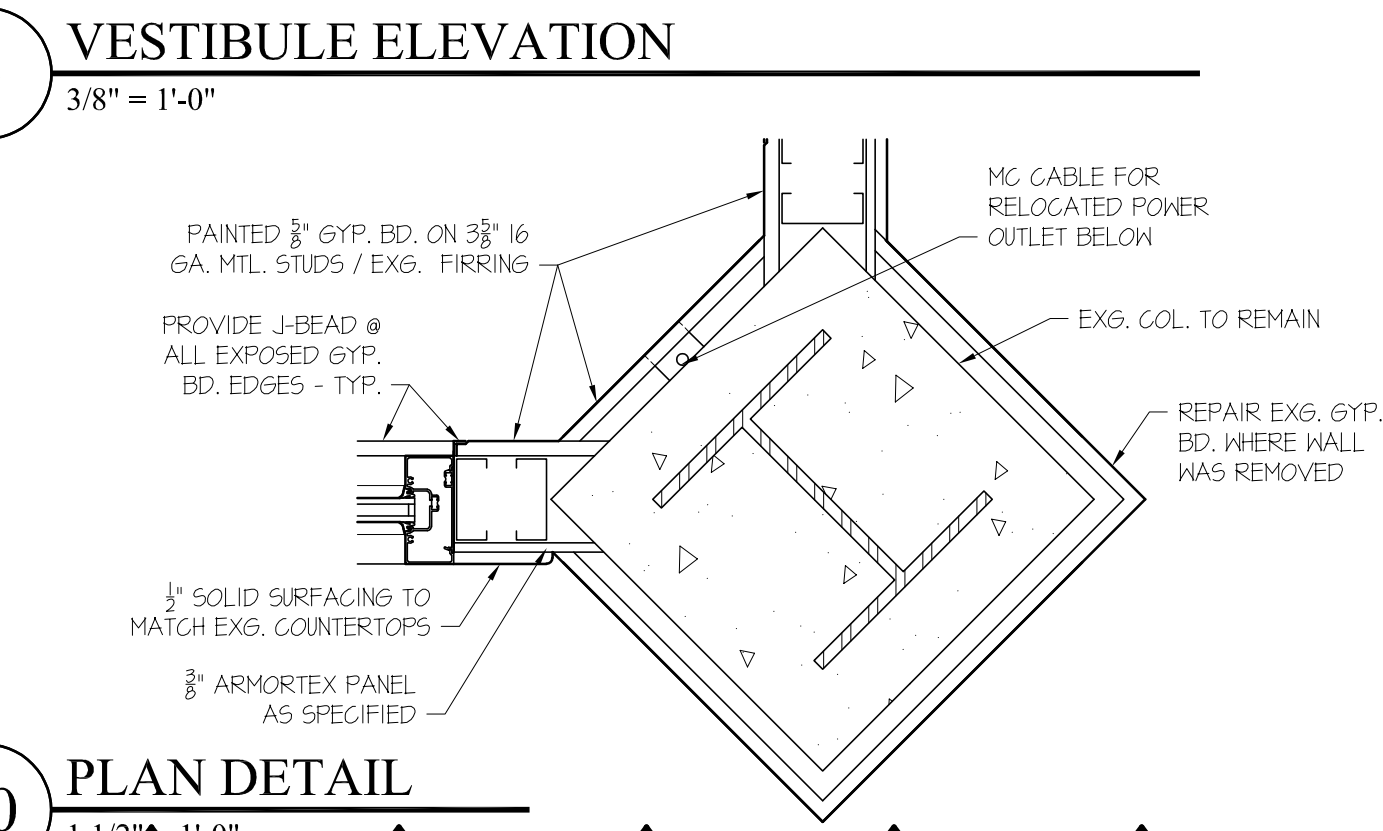
5 STOREFRONT ELEVATION
3/8" = 1'-0"



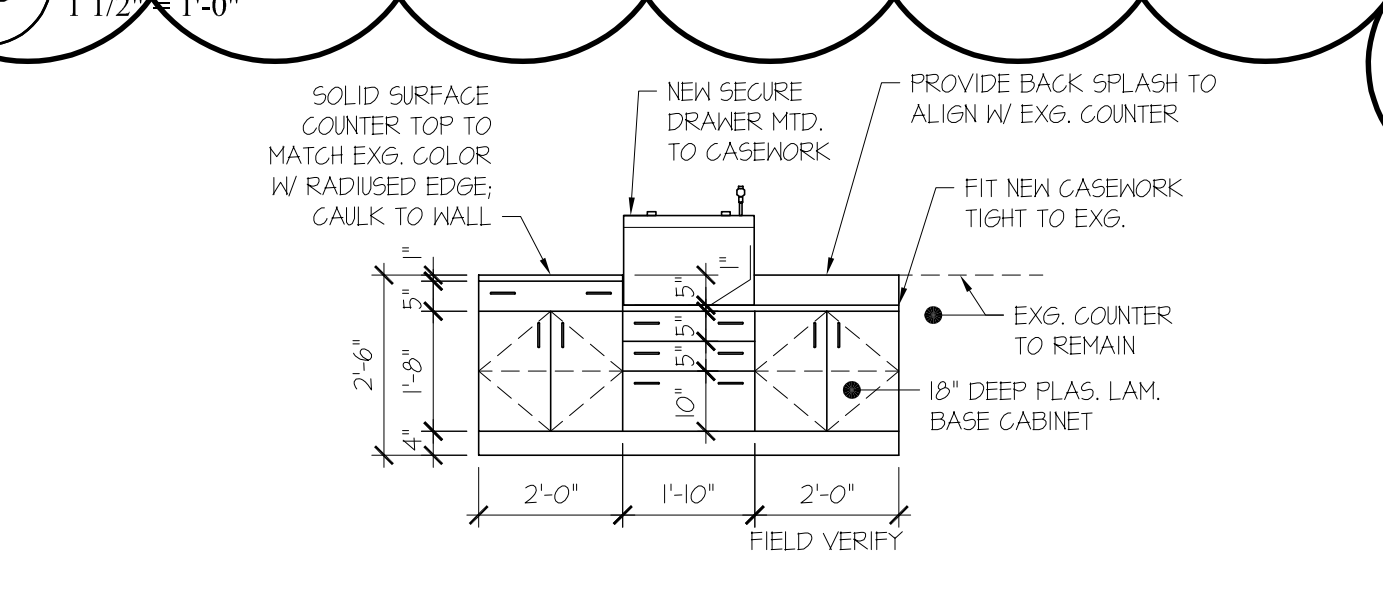
6 VESTIBULE ELEVATION
3/8" = 1'-0"



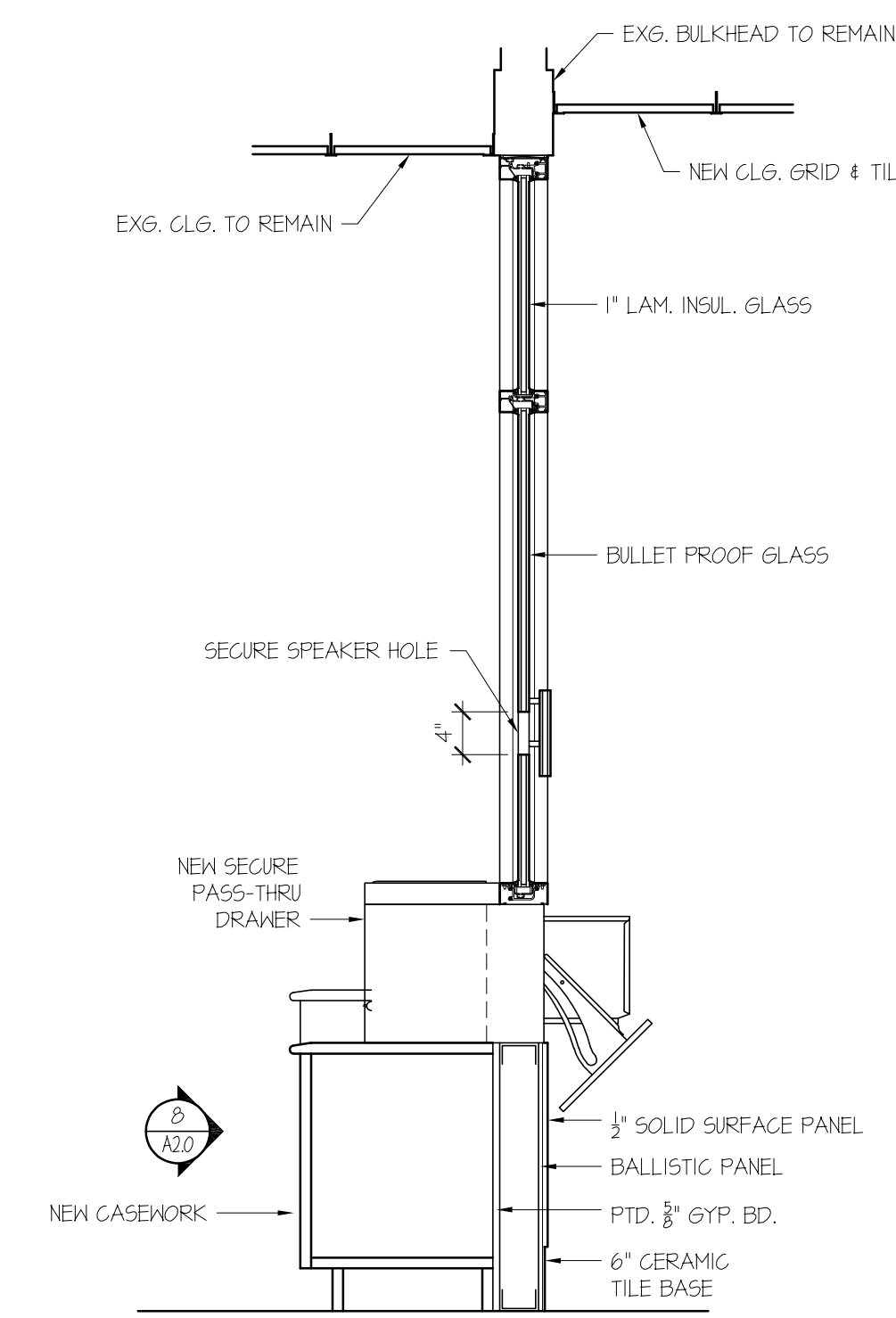
7 VESTIBULE STOREFRONT ELEVATION
3/8" = 1'-0"



10 PLAN DETAIL
1 1/2" = 1'-0"



8 CASEWORK ELEVATION
3/8" = 1'-0"



9 CASEWORK / WALL SECTION
3/4" = 1'-0"

GORDON JOHNSON
Architecture
654 Wag Street, Suite 4
Fayetteville, NC 28301
Phone: (910) 225-2166
E-Mail: gordon@gordonjohnsonarchitecture.com
© Copyright 2019
Gordon E. Johnson, AIA
Reproduction or publication of this document is not permitted without the expressed consent of the above.

Legal Disclaimer:
This document is intended to comply with the requirements of the American with Disabilities Act (ADA). However, Architects and Engineers are not licensed to interpret laws or give advice concerning laws. The user should have the document reviewed by the attorney to determine if it complies with ADA and other laws.

GORDON ELLISON JOHNSON
REGISTERED ARCHITECT
6194
1-11-19
NORTH CAROLINA
FAYETTEVILLE, N.C.

Cumberland County Detention Center Lobby Modifications
204 Gillespie Street
Fayetteville, North Carolina 28301

DRAWN BY: JDP
REVIEWED BY: GEL
DATE: 11-14-19
PROJECT NO.: 1821
NOTES:

NO.	REVISIONS
1	11-22-19

SHEET NUMBER
A2.0